

1-092 Quarter-Turn 2K Pr20.1 L18

Tool operable, IP65, Double insulated

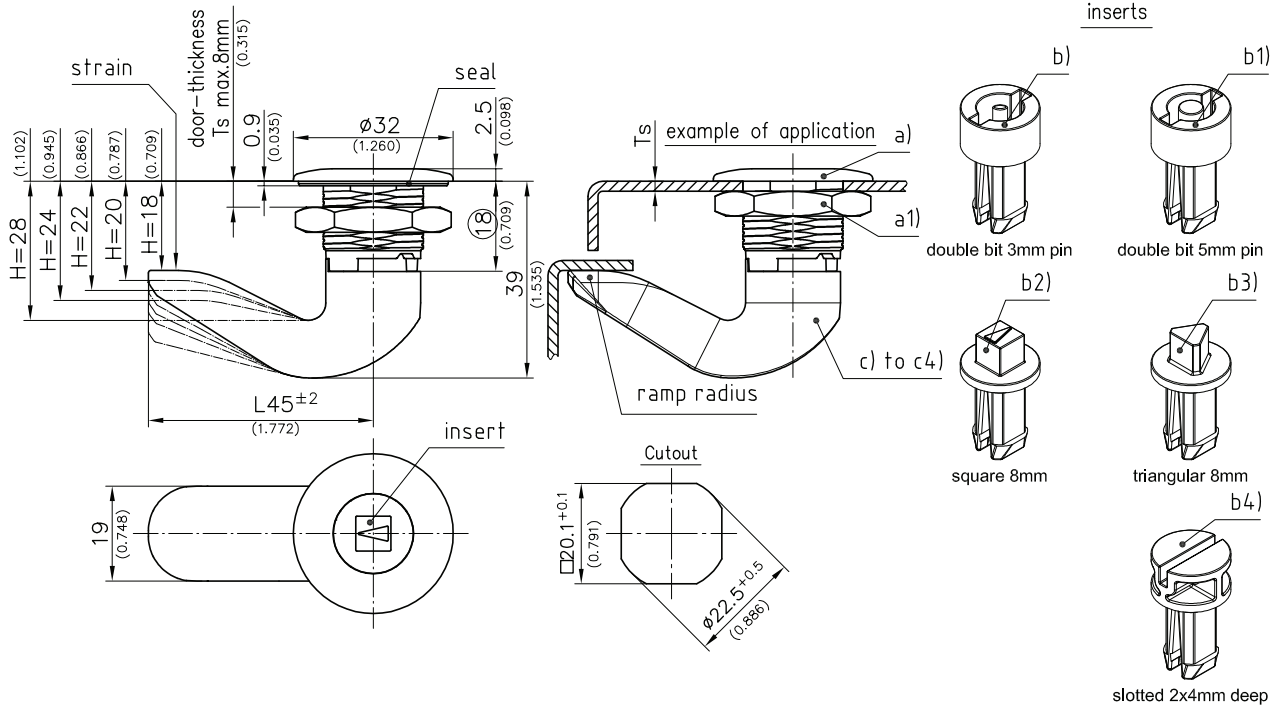


Product Notes:

- Double insulated moulded-in TPE colored seal is permanently installed preventing loss. The seal is located under the head and inside the housing
- A pre-assembled Quarter-Turn can be installed through the cutout
- Water and dust tight according to IP65/67, DIN EN 60529
- Insert and cam can be assembled without tools before installation in housing
- RH and LH application

Material:

- **Housing, insert, cam and nut:** PA6, Black
- **Seal:** TPE, Red



	Part No.	Packing Unit Pieces	See Page
a) Housing 2K	200-0211.00-00000	1000	
a1) Nut	203-0901.07-00000	1000	
Inserts:			
b) Double bit 3mm pin	100-0388.50-00005	250	
b1) Double bit 5mm pin	100-0388.50-00001	250	
b2) Square 8mm	100-0388.50-00002	250	
b3) Triangular 8mm	100-0388.50-00003	250	
b4) Slotted 2x4mm deep	100-0388.50-00004	250	
Cams:			
c) H=18 (0.709)	200-0769.50-00018	250	
c1) H=20 (0.787)	200-0769.50-00020	250	
c2) H=22 (0.866)	200-0769.50-00022	250	
c3) H=24 (0.945)	200-0769.50-00024	250	
c4) H=28 (1.102)	200-0769.50-00028	250	
Optional:			
Finger pull and dustcap			01.106
Anti-rotation device			01.107
Assembly	on request		